



Technology Systems (Pty) Ltd

Company Profile

About

NUCOR Technology Systems work in **CONJUNCTION** with **Clients**, offering a wide range of **Support** and **Technical Expertise** to ensure they are **Successful** in their business

"We turn our Customer's Visions into Reality"

NUCOR is a dynamic and pro-active company, that delivers a complete service in the respected fields of **Manufacturing** and **Engineering** with integrity, perfection and excellence

Spectrum of Work / Services

Manufacturing

- Stainless steel
- Aluminium
- Light / Medium weight mild steel
- Maintenance – Repairs, resolving audit findings, general purpose
- Pressure vessels
- Construction - Iso Panelling / Cold Rooms
- Turnkey projects

- **Note:** Coded Boilermakers and Welders

Additional Service

- Engineering Design, Simulation and FEA
- HVAC Design and Installation
- Machining and assembly manufacturing of components
- Project Management

Projects

Stainless Steel / Mild Steel / Aluminium

- Weight, piston and liquid fillers
- Ribbon blender single and double
- Tanks and conveyors
- Steam kettles tilting and fix standing units
- Pressure cookers, fryers and tilting pans
- Jam and sauce pots
- Cheese cutter, manual or hydraulic
- Chocolate melting tanks and double wall pipes
- Mayonnaise plants and mash coolers
- Furniture and fittings
- Kitchen equipment
- Electrical boxes
- Chutes, platforms, ladders and shelves

Fabrication

- Container swimming pools
- Modular container units and rooms
- Machinery and equipment
- Pipework

Construction / Engineering

- HVAC (Heating, ventilation and air conditioning)
- Iso panel walls, rooms and cold rooms
- Mechanical handling equipment

Are you in need of support!!

Give us a call to find out how we can work together to help you

Daniel Le Roux



+27 71 311 5334



Daniel@Nucortech.co.za



www.nucortech.co.za

Leon Eksteen



+27 72 875 3008



Leon@Nucortech.co.za



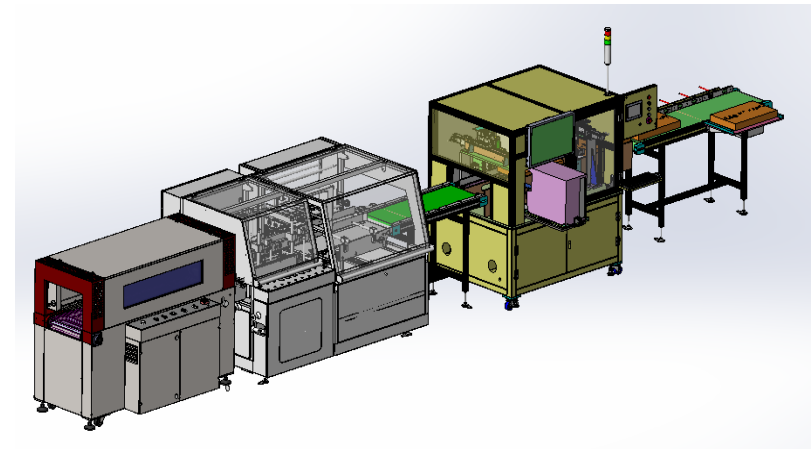
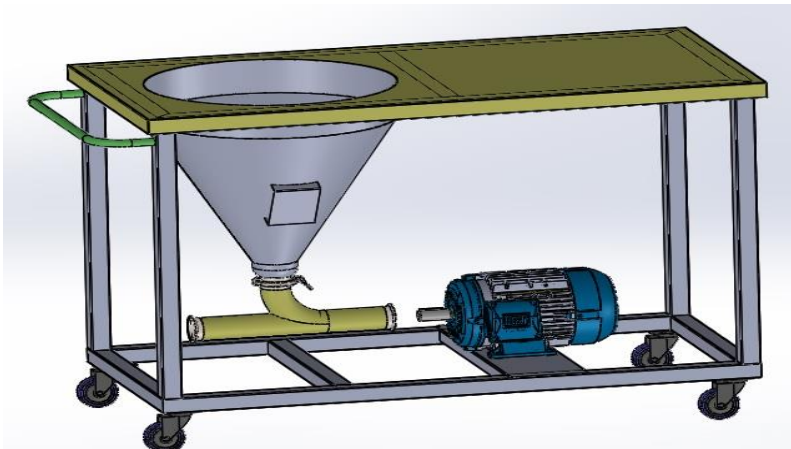
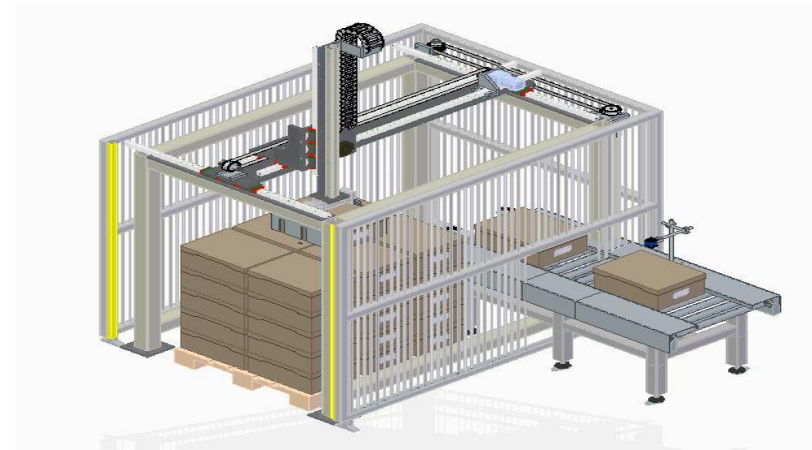
26 Nourse Avenue
Epping 2, Goodwood, 7460

NUCOR

Technology Systems (Pty) Ltd

GALLERY

Equipment



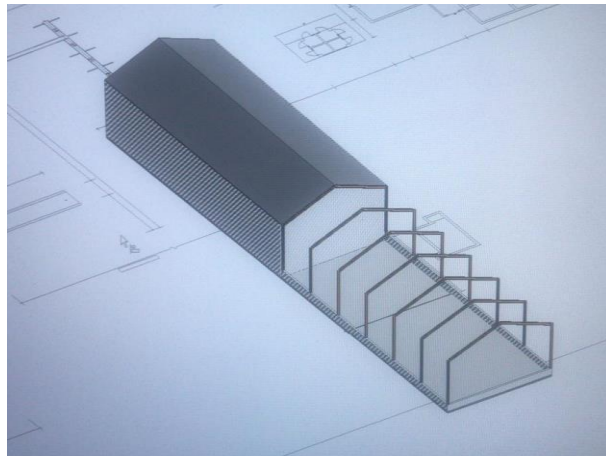
SS - MS - AI



Fabrication



Additional Service



NUCOR

Technology Systems (Pty) Ltd

THE END